

Anemostat®

SUBMITTAL

A MESTEK COMPANY

1220 Watson Center Road • Carson, CA 90745-4206
 (310) 835-7500 • FAX (310) 835-0448
 airhelp@anemostat.com • www.anemostat.com

Model **HPX-L**

HIGH PERFORMANCE DIFFUSER

W/ EXTENSION PANEL LAY-IN T-BAR



DIFFUSERS

PRODUCT FEATURES

- High performance directional diffuser design with enhanced induction and mixing
- Reduced LIP design
- Induction vanes located in core discharge section
- Square & rectangular neck (see table for available sizes)
- 14 Core patterns available to meet design demands
- Removable / Interchangeable cores and patterns provide flexibility to suit change space needs

CONSTRUCTION DETAILS

Material:

- 22 GA Cold Rolled Steel (CRS)
- 20 GA Aluminum
- 22 GA 304 Stainless Steel

Finish:

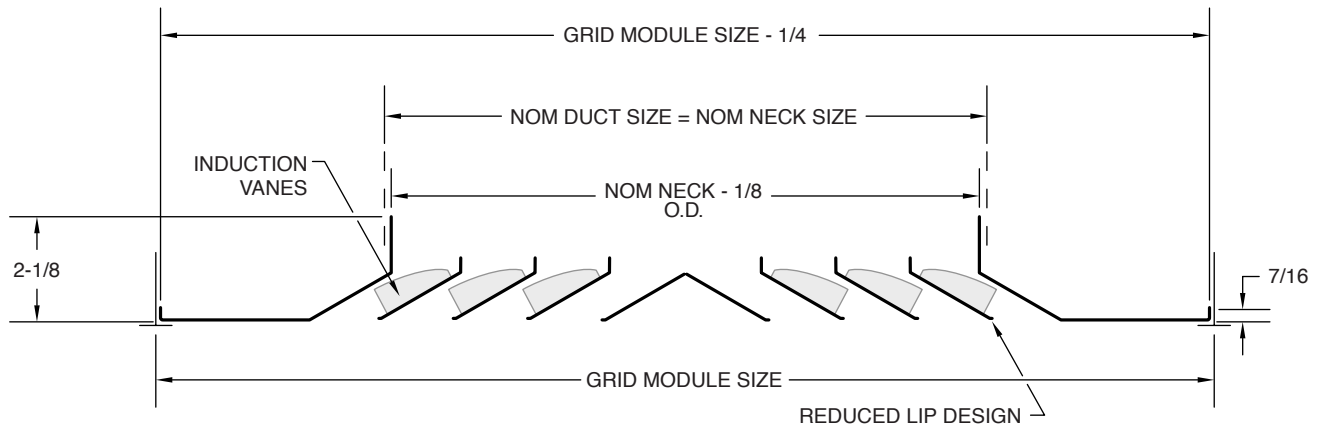
- Arctic White Baked Finish
- Satin Polish (Stainless Steel Only)
- Custom Colors

MODELS

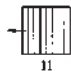
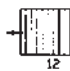
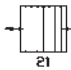
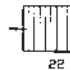

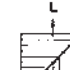
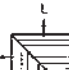
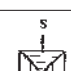
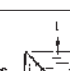

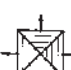
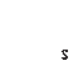
- HPX-L** (Lay-in 15/16" T-Bar)

ACCESSORIES

- DOB** Opposed Blade Damper (Steel)
- DOB** Opposed Blade Damper (Alum)
- SRA** Square to Round Adapter, Steel
- SSA** Square to Square Adapter for Inside Duct Connection (Steel)
- TBF** T-Bar Frame (Alum)



CORE PATTERNS

	SQUARE	RECTANGULAR
1 WAY PATTERNS	 11	 12
2 WAY PATTERNS	 21	 22
	 25	 26
	 27	
3 WAY PATTERNS	 31	 32
	 33	
	 41	 42

GRID MODULE SIZE	RECTANGULAR MAX NECK SIZE	SQUARE NECK SIZE
12 X 12	6 X 9	9 X 9
12 X 24	9 X 21	9 X 9
24 X 24	18 X 21	21 X 21
24 X 48	21 X 45	21 X 21
48 X 48	24 X 45	36 X 36

*4-WAY PATTERN ONLY (41)

All dimensions are in inches.

JOB NAME:

SUBMITTED BY: